

SEMISOM CHANNEL SEWAGE PUMPS

Heavy duty for 50mm solids handling



Guiderail
Accessories
Available

Designed for sewage, industrial and agricultural wastewater applications, these powerful Semisom pumps combine excellent solids handling characteristics with long service life.

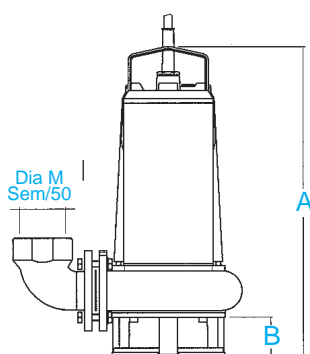
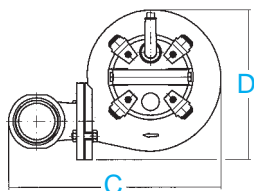
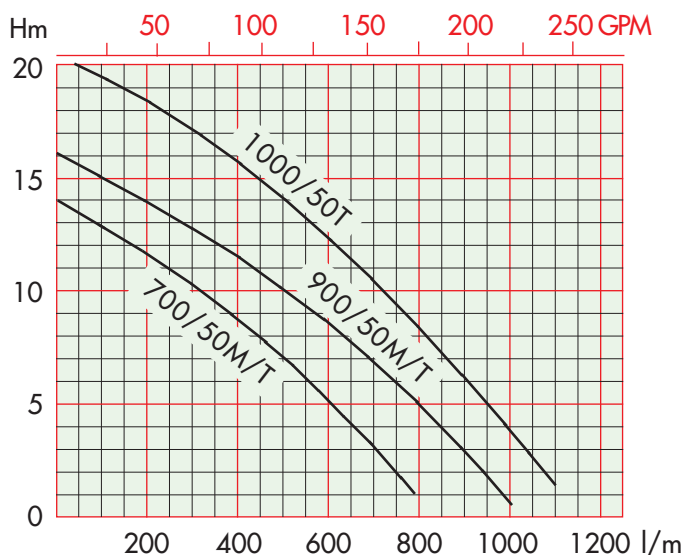
Motor cylinder, tie rods, handle, motor shaft and fixings: Stainless steel

Cover, volute and impeller: Cast iron

Silicon Carbide/Alumina mechanical seal

Supplied with 10m H07RN-F cable as standard.

Float switch, control box with indicator light and thermal protector switch as standard on 1-phase.



TECHNICAL DATA

SEMISOM MODEL	M=240/1/50 T=415/3/50	NOMINAL		NOM. AMPS	DIMENSIONS mm					WEIGHT Kg
		kW	HP		A	B	C	D	Dia M	
700/50	M	1.1	1.5	9.2	518	70	354	254	2"	32.0
700/50	T	1.1	1.5	3.3	508	70	354	254	2"	31.0
900/50	M	1.5	2.0	11.4	543	70	362	254	2½"	35.0
900/50	T	1.5	2.0	4.0	508	70	362	254	2½"	31.0
1000/50	T	2.2	3.0	5.9	543	70	362	254	2½"	35.0

© Descriptions, technical data and features contained in this leaflet are not binding. We reserve the right to make any necessary modifications without prior notice.

