

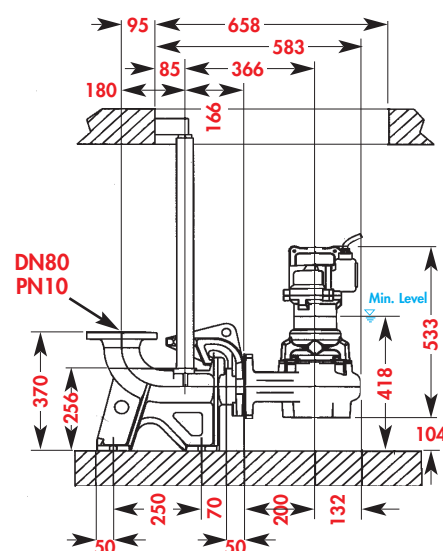
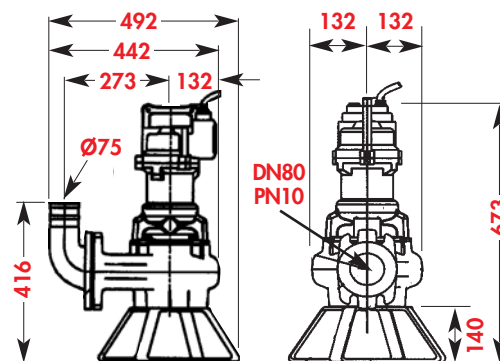
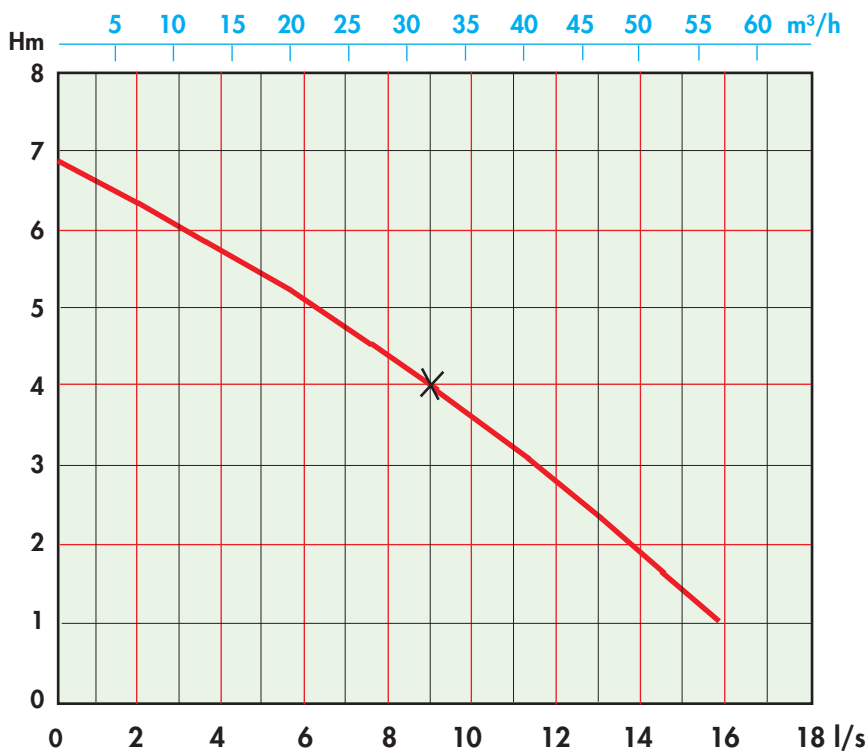
# MAXI HQ

## Vortex impeller for 50mm solids handling

The 400/3/50 Maxi HQ submersible is designed for heavy duty waste water and sewage applications, with pumped media containing solids in suspension up to 50mm dia. at temperatures up to 40°C.

It features a six blade vortex impeller designed for high hydraulic efficiency mounted on a reduced length shaft.

- G250 cast iron construction
- Mechanical seal - silicon carbide/carbide
- Lip seal and O-rings in Nitrile
- Oil chamber
- Motor suitable for >15 starts per hour
- 10 metres of Neoprene HO7RN-F cable as standard
- 1450 RPM
- Guiderail and Eex d IIB T4 versions available.



MODEL	Power	Nom. kW	Nom. Amps	Best Efficiency	Weight Kg
MAXI HQ	400/3/50	1.3	3.5	4mH-9l/s	47

© Descriptions, technical data and features contained in this leaflet are not binding. We reserve the right to make any necessary modifications without prior notice.

