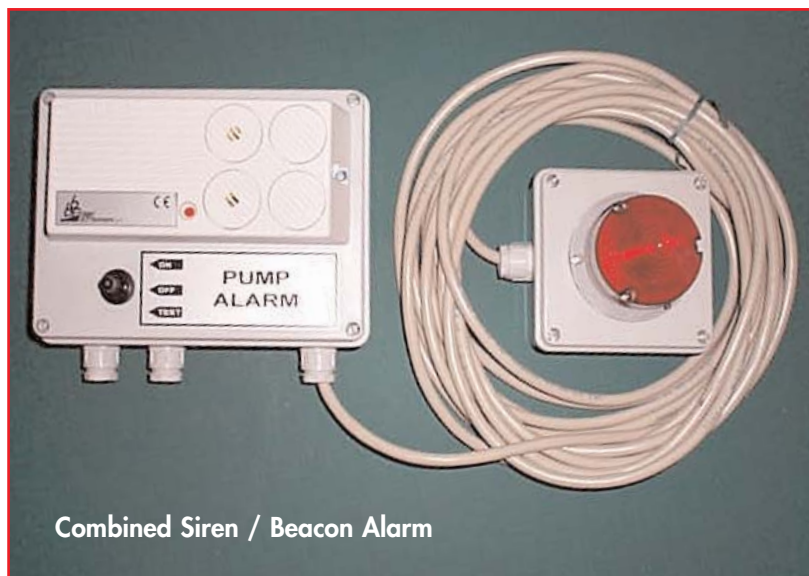


# PUMP FLOAT SWITCH ALARM UNIT

## Audible and Beacon with 2 hour battery back-up

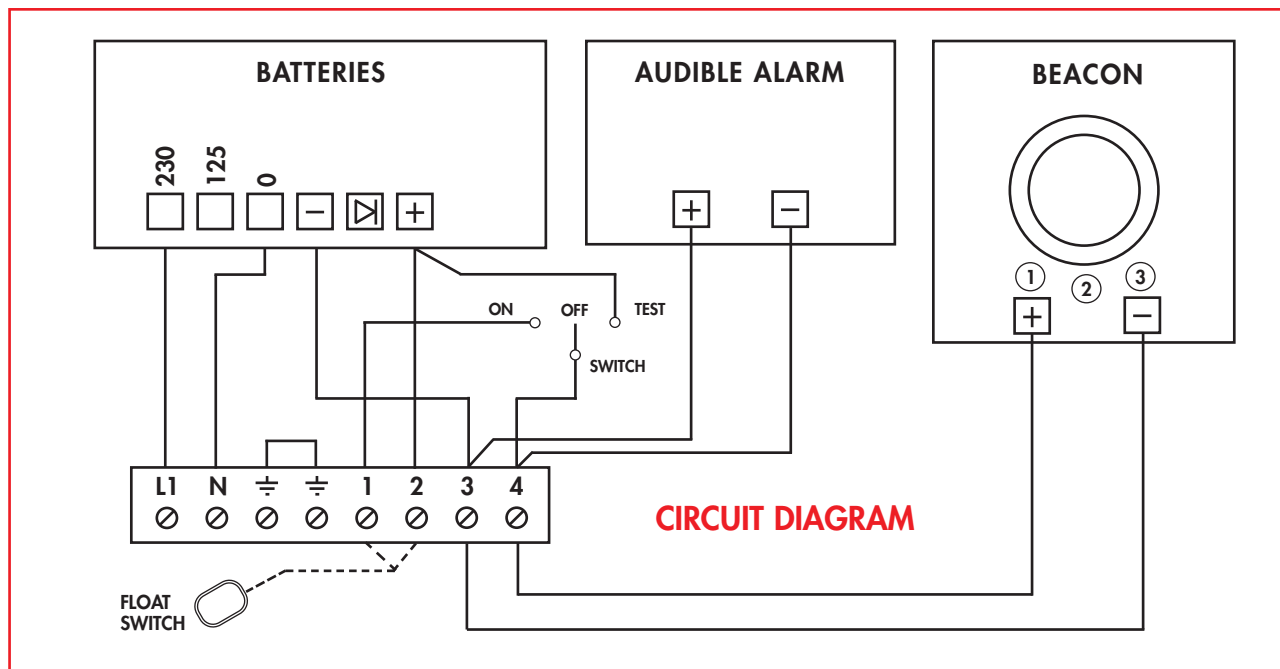
This simple to install unit is designed for audible and visual alarm of pump plant failure, even in the case of power cut. It features a 102dB/1m siren control box and a remote Ba15d 5W red flashing beacon, with a battery back-up time of approx. 2 hours.



Combined Siren / Beacon Alarm

### SPECIFICATION

Mains supply: 230V/1/50Hz  
 Box Size: 190x140x70mm  
 Beacon Size: 105x105x130mm  
 Cable: 10m of 2x1mm<sup>2</sup>  
 Beacon: Red 5W Max.  
 Battery: NiCd - 12Vdc - 0.5Ah  
 Restoration time: Approx 12 hrs  
 Battery operating time:  
 Approx. 2 hrs.  
 Three-Way switch:  
 ON: Float switch alarm  
 OFF: Alarm off  
 TEST: Checks function



© Descriptions, technical data and features contained in this leaflet are not binding. We reserve the right to make any necessary modifications without prior notice.

